

Service Trolleys

Trolley for Plate and Rack

ITEM # _____

MODEL # _____

NAME # _____

SIS # _____

AIA # _____



361296 (SPPS08)

Plate (3 tiers) and basket (4 tiers) trolley

Short Form Specification

Item No. _____

Constructed in 304 AISI stainless steel. Framework in mm25 tubing, completely welded. Seamless base, upper and back shelves with upturned edges, welded to the framework. One side has three inclined shelves to accommodate stacked plates; the other side has L-shaped runners to accommodate n. 4 dishwashing baskets mm500x500. The handles are an extension of the load-bearing frame. N. 4 swivelling castors, two with brakes, mm125 in diameter, fitted with plastic bumpers.

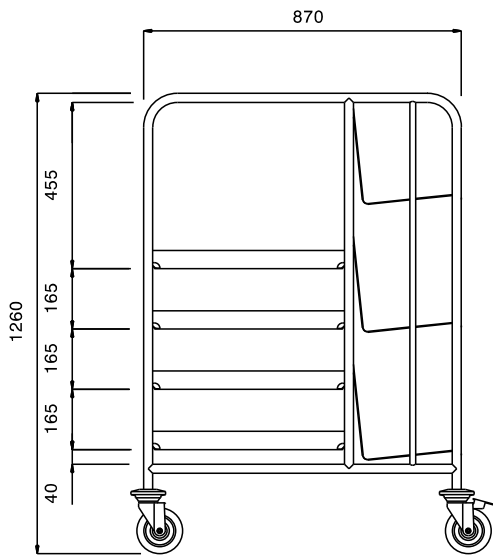
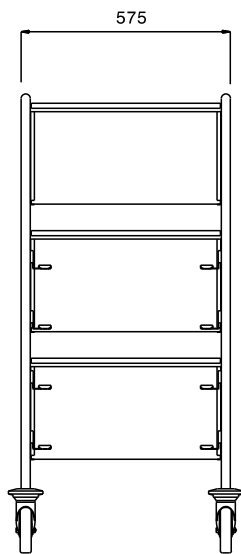
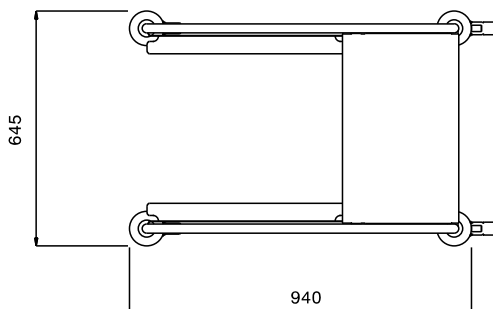
APPROVAL: _____

Main Features

- 4 pivoting Ø 125 mm wheels, 2 of which with brakes, fitted with plastic bumpers
- Framework in 25 mm tubing, completely welded.
- Equipped with L-shaped runners.
- Seamless base, upper and back shelves with upturn edges welded to the framework.
- Accommodates 4 dishwashing baskets 500x500 mm.
- One side to have three inclined shelves to accommodate stacked plates.

Construction

- Constructed entirely in 304 AISI stainless steel.

Front**Side****Top****Key Information:**

External dimensions, Width:

361296 (SPPS08)

645 mm

External dimensions, Depth:

940 mm

External dimensions, Height:

1260 mm

Net weight:

22 kg